



La nostra lampada LED più efficiente

Lampadina MASTER UltraEfficient LED

Questa è la lampadina a LED a maggiore efficienza energetica proposta dal marchio Philips. Con 210 lm/W, aiuta a concretizzare l'impegno dell'azienda per la sostenibilità. Con una vita utile di 50.000 ore, aiuta a estendere il ciclo di sostituzione delle lampade e a ridurre gli sprechi. Non è solo un prodotto con specifiche elevate, ma garantisce anche la qualità della luce del marchio Philips

Vantaggi

- a risparmio energetico, 60% di energia in meno rispetto alle lampadine LED Philips standard
- Maggiore durata che riduce l'esigenza di sostituzione
- Sostituzione semplice delle lampade convenzionali

Caratteristiche

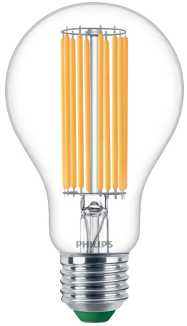
- Ad altissima efficienza energetica, con 210 lm/W
- Lunga durata, più di 3 volte rispetto ai normali prodotti LED
- Aspetto ottimizzato, senza alcun impatto sull'applicazione. Di semplice installazione
- Progettate per essere notate, sia accese sia spente
- Rispetto dell'ambiente: senza mercurio o altre sostanze nocive

Applicazione

- Applicazione domestica
- Hotel, ristoranti e bar

Lampadina MASTER UltraEfficient LED

Versions



LED CLA 75W A70 E27 3000K CL UE SRT4



LED CLA 60W A60 E27 4000K CL UE SRT4



LED CLA 60W A60 E27 2700K CL UE SRT4



LEDbulb MAS EU A60 E27 CL 4



LED CLA 60W G95 E27 2700K CL UE SRT4



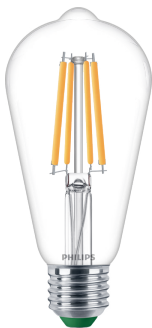
LEDbulb MAS EU A60 E27 CL 1



LED CLA 75W A60 E27 2700K CL UE SRT4



LED CLA 100WA60 E27 2700K CL UE SRT4



LED CLA 60W ST64 E27 2700K CL UE SRT4



LED CLA 75W A60 E27 4000K CL UE SRT4



LED CLA 60W G95 E27 4000K CL UE SRT4



LEDbulb MAS EU A60 E27 CL 3



LED CLA 100WA60 E27 4000K CL UE SRT4



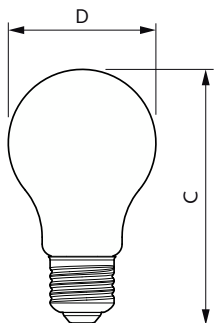
LED CLA 40W A60 E27 4000K CL UE SRT4



LEDbulb MAS EU A60 E27 CL 2

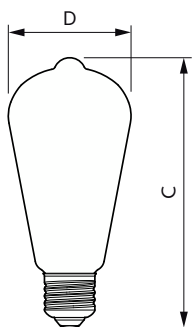
Lampadina MASTER UltraEfficient LED

Disegno tecnico



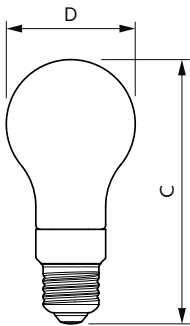
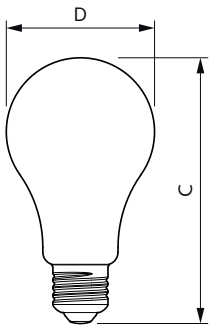
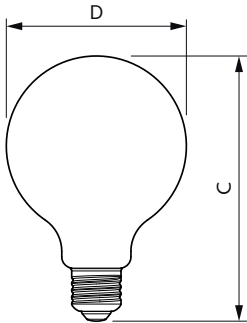
Product	D	C
MAS LEDBulbND2.3-40W E27 827 A60 CL G UE	60 mm	104 mm
MAS LEDBulbND2.3-40W E27 827 A60 FR G UE	60 mm	104 mm
MAS LEDBulbND2.3-40W E27 830 A60 CL G UE		
MAS LEDBulbND2.3-40W E27 830 A60 FR G UE		
MAS LEDBulbND2.3-40W E27 840 A60 CL G UE	60 mm	104 mm
MAS LEDBulbND2.3-40W E27 840 A60 FR G UE	60 mm	104 mm
MAS LEDBulbND2.3-40W E27830 A60CL G EELA	60 mm	105 mm
MAS LEDBulbND2.3-40W E27840 A60CL G EELA	60 mm	105 mm
MAS LEDBulbND4-60W E27 827 A60 CL G UE	60 mm	104 mm
MAS LEDBulbND4-60W E27 827 A60 FR G UE	60 mm	104 mm
MAS LEDBulbND4-60W E27 830 A60 CL G EELA	60 mm	105 mm
MAS LEDBulbND4-60W E27 830 A60 CL G UE		
MAS LEDBulbND4-60W E27 830 A60 FR G UE		
MAS LEDBulbND4-60W E27 830 A60 FR G UE	60 mm	105 mm
MAS LEDBulbND4-60W E27 840 A60 CL G EELA	60 mm	105 mm
MAS LEDBulbND4-60W E27 840 A60 CL G UE	60 mm	104 mm
MAS LEDBulbND4-60W E27 840 A60 FR G UE	60 mm	104 mm
MAS LEDBulbND4-60W E27 840 A60 FR G UE	60 mm	105 mm
MAS LEDBulbND4-60W E27 840 A60 FR G UE	60 mm	105 mm
MAS LEDBulbND5.2-75W E27 827 A60 CL G UE	60 mm	104 mm
MAS LEDBulbND5.2-75W E27 827 A60 FR G UE	60 mm	104 mm
MAS LEDBulbND5.2-75W E27 830 A60 CL G UE		
MAS LEDBulbND5.2-75W E27 830 A60 FR G UE		
MAS LEDBulbND5.2-75W E27 840 A60 CL G UE	60 mm	104 mm
MAS LEDBulbND5.2-75W E27 840 A60 FR G UE	60 mm	104 mm
MAS LEDBulbND7.3-100W E27 827 A60 CL G UE	60 mm	104 mm
MAS LEDBulbND7.3-100W E27 827 A60 FR G UE	60 mm	104 mm
MAS LEDBulbND7.3-100W E27 830 A60 CL G UE		
MAS LEDBulbND7.3-100W E27 830 A60 FR G UE		
MAS LEDBulbND7.3-100W E27 840 A60 CL G UE	60 mm	104 mm
MAS LEDBulbND7.3-100W E27 840 A60 FR G UE	60 mm	104 mm

Product	D	C
MAS LEDBulbND4-60W E27 827 ST64 CL G UE	64 mm	140 mm



Lampadina MASTER UltraEfficient LED

Disegno tecnico



Product	D	C
MAS LEDBulbND4-60W E27 827 G95 CL G UE	95 mm	140 mm
MAS LEDBulbND4-60W E27 840 G95 CL G UE	95 mm	140 mm

Product	D	C
MAS LEDBulbND5.2-75W E27 830A70 CLG UE	70 mm	127 mm
MAS LEDBulbND5.2-75W E27 840A70 CLG UE	70 mm	127 mm
MAS LEDBulbND7.3-100WE27830 A70 CLG UE	70 mm	127 mm
MAS LEDBulbND7.3-100WE27830 A70 FRG UE	70 mm	127 mm
MAS LEDBulbND7.3-100WE27840 A70 CLG UE	70 mm	127 mm
MAS LEDBulbND7.3-100WE27840 A70 FRG UE	70 mm	127 mm

Product
MAS LEDBulb D 4-60W E27 827 A60 CL G UE
MAS LEDBulb D 4-60W E27 827 A60 FR G UE
MAS LEDBulb D 4-60W E27 830 A60 CL G UE
MAS LEDBulb D 4-60W E27 830 A60 FR G UE

Informazioni generali

Attacco	E27
Ciclo di commutazione on/off	50.000
Durata nominale	50.000 ore

Dati tecnici di illuminazione

Indice di resa cromatica (CRI)	80
LLMF a fine durata vita nominale (Nom)	70 %

Funzionamento e parte elettrica

Frequenza di ingresso	Da 50 a 60 Hz
Frequenza di linea	50 to 60 Hz
Tempo di avvio (Nom)	0,5 s

Dati tecnici di illuminazione

Order Code	Full Product Name	Angolo del fascio (Nom)	Temperatura del colore correlata	Codice colore	Flusso luminoso
43587200	MAS LEDBulbND5.2-75W E27 830A70 CLG UE	-	3000 K	830	1.095 lm
43589600	MAS LEDBulbND5.2-75W E27 840A70 CLG UE	-	4000 K	840	1.095 lm
18853200	MAS LEDBulbND4-60W E27 840 A60 CL G UE	-	4000 K	840	840 lm
18845700	MAS LEDBulbND4-60W E27 827 A60 CL G UE	-	2700 K	827	840 lm
25412100	MAS LEDBulbND4-60W E27 830 A60 CL G UE	-	3000 K	830	840 lm

Lampadina MASTER UltraEfficient LED

Order Code	Full Product Name	Angolo del fascio (Nom)	Temperatura del colore correlata	Codice colore	Flusso luminoso
42079300	MAS LEDBulbND4-60W E27 840 A60 CL G EELA	-	4000 K	840	840 lm
20276400	MAS LEDBulbND4-60W E27 827 G95 CL G UE	-	2700 K	827	840 lm
42073100	MAS LEDBulbND2.3-40W E27830 A60CL G EELA	-	3000 K	830	485 lm
43579700	MAS LEDBulbND4-60W E27 830 A60 FR G UE	-	3000 K	830	840 lm
43581000	MAS LEDBulbND4-60W E27 840 A60 FR G UE	-	4000 K	840	840 lm
18833400	MAS LEDBulbND2.3-40W E27 827 A60 FR G UE	-	2700 K	827	485 lm
18841900	MAS LEDBulbND2.3-40W E27 840 A60 FR G UE	-	4000 K	840	485 lm
18849500	MAS LEDBulbND4-60W E27 827 A60 FR G UE	-	2700 K	827	840 lm
28428900	MAS LEDBulbND4-60W E27 840 A60 FR G UE	-	4000 K	840	840 lm
18865500	MAS LEDBulbND5.2-75W E27 827 A60 FR G UE	-	2700 K	827	1.095 lm
18873000	MAS LEDBulbND5.2-75W E27 840 A60 FR G UE	-	4000 K	840	1.095 lm
18881500	MAS LEDBulbND7.3-100W E27 827 A60 FR G UE	-	2700 K	827	1.535 lm
18889100	MAS LEDBulbND7.3-100W E27 840 A60 FR G UE	-	4000 K	840	1.535 lm
25408400	MAS LEDBulbND2.3-40W E27 830 A60 FR G UE	-	3000 K	830	485 lm
25416900	MAS LEDBulbND4-60W E27 830 A60 FR G UE	-	3000 K	830	840 lm
25424400	MAS LEDBulbND5.2-75W E27 830 A60 FR G UE	-	3000 K	830	1.095 lm
25432900	MAS LEDBulbND7.3-100W E27 830 A60 FR G UE	-	3000 K	830	1.535 lm
18861700	MAS LEDBulbND5.2-75W E27 827 A60 CL G UE	-	2700 K	827	1.095 lm
25420600	MAS LEDBulbND5.2-75W E27 830 A60 CL G UE	-	3000 K	830	1.095 lm
18877800	MAS LEDBulbND7.3-100W E27 827 A60 CL G UE	-	2700 K	827	1.535 lm
25428200	MAS LEDBulbND7.3-100W E27 830 A60 CL G UE	-	3000 K	830	1.535 lm
43583400	MAS LEDBulbND7.3-100WE27830 A70 FRG UE	-	3000 K	830	1.535 lm
43585800	MAS LEDBulbND7.3-100WE27840 A70 FRG UE	-	4000 K	840	1.535 lm
20274000	MAS LEDBulbND4-60W E27 827 ST64 CL G UE	-	2700 K	827	840 lm

Lampadina MASTER UltraEfficient LED

Order Code	Full Product Name	Angolo del fascio (Nom)	Temperatura del colore correlata	Codice colore	Flusso luminoso
43591900	MAS LEDBulbND7.3-100WE27830 A70 CLG UE	-	3000 K	830	1.535 lm
43593300	MAS LEDBulbND7.3-100WE27840 A70 CLG UE	-	4000 K	840	1.535 lm
18869300	MAS LEDBulbND5.2-75W E27 840 A60 CL G UE	-	4000 K	840	1.095 lm
20278800	MAS LEDBulbND4-60W E27 840 G95 CL G UE	-	4000 K	840	840 lm
42077900	MAS LEDBulbND4-60W E27 830 A60 CL G EELA	-	3000 K	830	840 lm
24864900	MAS LEDBulb D 4-60W E27 827 A60 CL G UE	300 °	2700 K	827	840 lm
24868700	MAS LEDBulb D 4-60W E27 830 A60 CL G UE	300 °	3000 K	830	840 lm
18885300	MAS LEDBulbND7.3-100W E27 840 A60 CL G UE	-	4000 K	840	1.535 lm
18837200	MAS LEDBulbND2.3-40W E27 840 A60 CL G UE	-	4000 K	840	485 lm
18829700	MAS LEDBulbND2.3-40W E27 827 A60 CL G UE	-	2700 K	827	485 lm
25404600	MAS LEDBulbND2.3-40W E27 830 A60 CL G UE	-	3000 K	830	485 lm
24866300	MAS LEDBulb D 4-60W E27 827 A60 FR G UE	300 °	2700 K	827	840 lm
24870000	MAS LEDBulb D 4-60W E27 830 A60 FR G UE	300 °	3000 K	830	840 lm
42075500	MAS LEDBulbND2.3-40W E27840 A60CL G EELA	-	4000 K	840	485 lm

Funzionamento e parte elettrica

Order Code	Full Product Name	Tensione (Nom)	Consumo energetico	Potenza equivalente
43587200	MAS LEDBulbND5.2-75W E27 830A70 CLG UE	-	5,2 W	75 W
43589600	MAS LEDBulbND5.2-75W E27 840A70 CLG UE	-	5,2 W	75 W
18853200	MAS LEDBulbND4-60W E27 840 A60 CL G UE	220 V	4 W	60 W
18845700	MAS LEDBulbND4-60W E27 827 A60 CL G UE	220 V	4 W	60 W
25412100	MAS LEDBulbND4-60W E27 830 A60 CL G UE	220 V	4 W	60 W
42079300	MAS LEDBulbND4-60W E27 840 A60 CL G EELA	-	4 W	60 W
20276400	MAS LEDBulbND4-60W E27 827 G95 CL G UE	220 V	4 W	60 W
42073100	MAS LEDBulbND2.3-40W E27830 A60CL G EELA	-	2,3 W	40 W

Order Code	Full Product Name	Tensione (Nom)	Consumo energetico	Potenza equivalente
43579700	MAS LEDBulbND4-60W E27 830 A60 FR G UE	-	4 W	60 W
43581000	MAS LEDBulbND4-60W E27 840 A60 FR G UE	-	4 W	60 W
18833400	MAS LEDBulbND2.3-40W E27 827 A60 FR G UE	220 V	2,3 W	40 W
18841900	MAS LEDBulbND2.3-40W E27 840 A60 FR G UE	220 V	2,3 W	40 W
18849500	MAS LEDBulbND4-60W E27 827 A60 FR G UE	220 V	4 W	60 W
28428900	MAS LEDBulbND4-60W E27 840 A60 FR G UE	220 V	4 W	60 W
18865500	MAS LEDBulbND5.2-75W E27 827 A60 FR G UE	220 V	5,2 W	75 W
18873000	MAS LEDBulbND5.2-75W E27 840 A60 FR G UE	220 V	5,2 W	75 W

Lampadina MASTER UltraEfficient LED

Order Code	Full Product Name	Tensione (Nom)	Consumo energetico	Potenza equivalente
18881500	MAS LEDBulbND7.3-100W E27 827 A60 FR GUE	220 V	7,3 W	100 W
18889100	MAS LEDBulbND7.3-100W E27 840 A60 FR GUE	220 V	7,3 W	100 W
25408400	MAS LEDBulbND2.3-40W E27 830 A60 FR G UE	220 V	2,3 W	40 W
25416900	MAS LEDBulbND4-60W E27 830 A60 FR G UE	220 V	4 W	60 W
25424400	MAS LEDBulbND5.2-75W E27 830 A60 FR G UE	220 V	5,2 W	75 W
25432900	MAS LEDBulbND7.3-100W E27 830 A60 FR GUE	220 V	7,3 W	100 W
18861700	MAS LEDBulbND5.2-75W E27 827 A60 CL G UE	220 V	5,2 W	75 W
25420600	MAS LEDBulbND5.2-75W E27 830 A60 CL G UE	220 V	5,2 W	75 W
18877800	MAS LEDBulbND7.3-100W E27 827 A60 CL GUE	220 V	7,3 W	100 W
25428200	MAS LEDBulbND7.3-100W E27 830 A60 CL GUE	220 V	7,3 W	100 W
43583400	MAS LEDBulbND7.3-100WE27830 A70 FRG UE	-	7,3 W	100 W
43585800	MAS LEDBulbND7.3-100WE27840 A70 FRG UE	-	7,3 W	100 W
20274000	MAS LEDBulbND4-60W E27 827 ST64 CL G UE	220 V	4 W	60 W
43591900	MAS LEDBulbND7.3-100WE27830 A70 CLG UE	-	7,3 W	100 W

Order Code	Full Product Name	Tensione (Nom)	Consumo energetico	Potenza equivalente
43593300	MAS LEDBulbND7.3-100WE27840 A70 CLG UE	-	7,3 W	100 W
18869300	MAS LEDBulbND5.2-75W E27 840 A60 CL G UE	220 V	5,2 W	75 W
20278800	MAS LEDBulbND4-60W E27 840 G95 CL G UE	220 V	4 W	60 W
42077900	MAS LEDBulbND4-60W E27 830 A60 CL G EELA	-	4 W	60 W
24864900	MAS LEDBulb D 4-60W E27 827 A60 CL G UE	220 V	4 W	60 W
24868700	MAS LEDBulb D 4-60W E27 830 A60 CL G UE	220 V	4 W	60 W
18885300	MAS LEDBulbND7.3-100W E27 840 A60 CL GUE	220 V	7,3 W	100 W
18837200	MAS LEDBulbND2.3-40W E27 840 A60 CL G UE	220 V	2,3 W	40 W
18829700	MAS LEDBulbND2.3-40W E27 827 A60 CL G UE	220 V	2,3 W	40 W
25404600	MAS LEDBulbND2.3-40W E27 830 A60 CL G UE	220 V	2,3 W	40 W
24866300	MAS LEDBulb D 4-60W E27 827 A60 FR G UE	220 V	4 W	60 W
24870000	MAS LEDBulb D 4-60W E27 830 A60 FR G UE	220 V	4 W	60 W
42075500	MAS LEDBulbND2.3-40W E27840 A60CL G EELA	-	2,3 W	40 W

Temperatura

Order Code	Full Product Name	Range temperatura ambiente	Temp. massima involucro (Nom)
43587200	MAS LEDBulbND5.2-75W E27 830A70 CLG UE	-	70 °C
43589600	MAS LEDBulbND5.2-75W E27 840A70 CLG UE	-	70 °C
18853200	MAS LEDBulbND4-60W E27 840 A60 CL G UE	Da -20 a +45 °C	70 °C
18845700	MAS LEDBulbND4-60W E27 827 A60 CL G UE	Da -20 a +45 °C	70 °C
25412100	MAS LEDBulbND4-60W E27 830 A60 CL G UE	Da -20 a +45 °C	70 °C
42079300	MAS LEDBulbND4-60W E27 840 A60 CL G EELA	-	35 °C
20276400	MAS LEDBulbND4-60W E27 827 G95 CL G UE	Da -20 a +45 °C	70 °C
42073100	MAS LEDBulbND2.3-40W E27830 A60CL G EELA	-	35 °C

Order Code	Full Product Name	Range temperatura ambiente	Temp. massima involucro (Nom)
43579700	MAS LEDBulbND4-60W E27 830 A60 FR G UE	-	70 °C
43581000	MAS LEDBulbND4-60W E27 840 A60 FR G UE	-	70 °C
18833400	MAS LEDBulbND2.3-40W E27 827 A60 FR G UE	Da -20 a +45 °C	70 °C
18841900	MAS LEDBulbND2.3-40W E27 840 A60 FR G UE	Da -20 a +45 °C	70 °C
18849500	MAS LEDBulbND4-60W E27 827 A60 FR G UE	Da -20 a +45 °C	70 °C
28428900	MAS LEDBulbND4-60W E27 840 A60 FR G UE	Da -20 a +45 °C	70 °C
18865500	MAS LEDBulbND5.2-75W E27 827 A60 FR G UE	Da -20 a +45 °C	70 °C
18873000	MAS LEDBulbND5.2-75W E27 840 A60 FR G UE	Da -20 a +45 °C	70 °C

Lampadina MASTER UltraEfficient LED

Order Code	Full Product Name	Range temperatura ambiente	Temp. massima involucro (Nom)
18881500	MAS LEDBulbND7.3-100W E27 827 A60 FR GUE	Da -20 a +45 °C	70 °C
18889100	MAS LEDBulbND7.3-100W E27 840 A60 FR GUE	Da -20 a +45 °C	70 °C
25408400	MAS LEDBulbND2.3-40W E27 830 A60 FR G UE	Da -20 a +45 °C	70 °C
25416900	MAS LEDBulbND4-60W E27 830 A60 FR G UE	Da -20 a +45 °C	70 °C
25424400	MAS LEDBulbND5.2-75W E27 830 A60 FR G UE	Da -20 a +45 °C	70 °C
25432900	MAS LEDBulbND7.3-100W E27 830 A60 FR GUE	Da -20 a +45 °C	70 °C
18861700	MAS LEDBulbND5.2-75W E27 827 A60 CL G UE	Da -20 a +45 °C	70 °C
25420600	MAS LEDBulbND5.2-75W E27 830 A60 CL G UE	Da -20 a +45 °C	70 °C
18877800	MAS LEDBulbND7.3-100W E27 827 A60 CL GUE	Da -20 a +45 °C	70 °C
25428200	MAS LEDBulbND7.3-100W E27 830 A60 CL GUE	Da -20 a +45 °C	70 °C
43583400	MAS LEDBulbND7.3-100WE27830 A70 FRG UE	-	70 °C
43585800	MAS LEDBulbND7.3-100WE27840 A70 FRG UE	-	70 °C
20274000	MAS LEDBulbND4-60W E27 827 ST64 CL G UE	Da -20 a +45 °C	70 °C
43591900	MAS LEDBulbND7.3-100WE27830 A70 CLG UE	-	70 °C

Order Code	Full Product Name	Range temperatura ambiente	Temp. massima involucro (Nom)
43593300	MAS LEDBulbND7.3-100WE27840 A70 CLG UE	-	70 °C
18869300	MAS LEDBulbND5.2-75W E27 840 A60 CL G UE	Da -20 a +45 °C	70 °C
20278800	MAS LEDBulbND4-60W E27 840 G95 CL G UE	Da -20 a +45 °C	70 °C
42077900	MAS LEDBulbND4-60W E27 830 A60 CL G EELA	-	35 °C
24864900	MAS LEDBulb D 4-60W E27 827 A60 CL G UE	Da -20 a +45 °C	70 °C
24868700	MAS LEDBulb D 4-60W E27 830 A60 CL G UE	Da -20 a +45 °C	70 °C
18885300	MAS LEDBulbND7.3-100W E27 840 A60 CL GUE	Da -20 a +45 °C	70 °C
18837200	MAS LEDBulbND2.3-40W E27 840 A60 CL G UE	Da -20 a +45 °C	70 °C
18829700	MAS LEDBulbND2.3-40W E27 827 A60 CL G UE	Da -20 a +45 °C	70 °C
25404600	MAS LEDBulbND2.3-40W E27 830 A60 CL G UE	Da -20 a +45 °C	70 °C
24866300	MAS LEDBulb D 4-60W E27 827 A60 FR G UE	Da -20 a +45 °C	70 °C
24870000	MAS LEDBulb D 4-60W E27 830 A60 FR G UE	Da -20 a +45 °C	70 °C
42075500	MAS LEDBulbND2.3-40W E27840 A60CL G EELA	-	35 °C

Controlli e dimmerazione

Order Code	Full Product Name	Dimmerabile
43587200	MAS LEDBulbND5.2-75W E27 830A70 CLG UE	No
43589600	MAS LEDBulbND5.2-75W E27 840A70 CLG UE	No
18853200	MAS LEDBulbND4-60W E27 840 A60 CL G UE	No
18845700	MAS LEDBulbND4-60W E27 827 A60 CL G UE	No
25412100	MAS LEDBulbND4-60W E27 830 A60 CL G UE	No
42079300	MAS LEDBulbND4-60W E27 840 A60 CL G EELA	No
20276400	MAS LEDBulbND4-60W E27 827 G95 CL G UE	No
42073100	MAS LEDBulbND2.3-40W E27830 A60CL G EELA	No
43579700	MAS LEDBulbND4-60W E27 830 A60 FR G UE	No
43581000	MAS LEDBulbND4-60W E27 840 A60 FR G UE	No
18833400	MAS LEDBulbND2.3-40W E27 827 A60 FR G UE	No
18841900	MAS LEDBulbND2.3-40W E27 840 A60 FR G UE	No
18849500	MAS LEDBulbND4-60W E27 827 A60 FR G UE	No
28428900	MAS LEDBulbND4-60W E27 840 A60 FR G UE	No
18865500	MAS LEDBulbND5.2-75W E27 827 A60 FR G UE	No
18873000	MAS LEDBulbND5.2-75W E27 840 A60 FR G UE	No
18881500	MAS LEDBulbND7.3-100W E27 827 A60 FR GUE	No

Order Code	Full Product Name	Dimmerabile
18889100	MAS LEDBulbND7.3-100W E27 840 A60 FR GUE	No
25408400	MAS LEDBulbND2.3-40W E27 830 A60 FR G UE	No
25416900	MAS LEDBulbND4-60W E27 830 A60 FR G UE	No
25424400	MAS LEDBulbND5.2-75W E27 830 A60 FR G UE	No
25432900	MAS LEDBulbND7.3-100W E27 830 A60 FR GUE	No
18861700	MAS LEDBulbND5.2-75W E27 827 A60 CL G UE	No
25420600	MAS LEDBulbND5.2-75W E27 830 A60 CL G UE	No
18877800	MAS LEDBulbND7.3-100W E27 827 A60 CL GUE	No
25428200	MAS LEDBulbND7.3-100W E27 830 A60 CL GUE	No
43583400	MAS LEDBulbND7.3-100WE27830 A70 FRG UE	No
43585800	MAS LEDBulbND7.3-100WE27840 A70 FRG UE	No
20274000	MAS LEDBulbND4-60W E27 827 ST64 CL G UE	No
43591900	MAS LEDBulbND7.3-100WE27830 A70 CLG UE	No
43593300	MAS LEDBulbND7.3-100WE27840 A70 CLG UE	No
18869300	MAS LEDBulbND5.2-75W E27 840 A60 CL G UE	No
20278800	MAS LEDBulbND4-60W E27 840 G95 CL G UE	No
42077900	MAS LEDBulbND4-60W E27 830 A60 CL G EELA	No

Lampadina MASTER UltraEfficient LED

Order Code	Full Product Name	Dimmerabile
24864900	MAS LEDBulb D 4-60W E27 827 A60 CL G UE	Solo con dimmer specifici
24868700	MAS LEDBulb D 4-60W E27 830 A60 CL G UE	Solo con dimmer specifici
18885300	MAS LEDBulbND7.3-100W E27 840 A60 CL GUE	No
18837200	MAS LEDBulbND2.3-40W E27 840 A60 CL G UE	No
18829700	MAS LEDBulbND2.3-40W E27 827 A60 CL G UE	No

Order Code	Full Product Name	Dimmerabile
25404600	MAS LEDBulbND2.3-40W E27 830 A60 CL G UE	No
24866300	MAS LEDBulb D 4-60W E27 827 A60 FR G UE	Solo con dimmer specifici
24870000	MAS LEDBulb D 4-60W E27 830 A60 FR G UE	Solo con dimmer specifici
42075500	MAS LEDBulbND2.3-40W E27840 A60CL G EELA	No

Meccanica e corpo

Order Code	Full Product Name	Finitura lampadina	Forma lampadina
43587200	MAS LEDBulbND5.2-75W E27 830A70 CLG UE	Trasparente	A70
43589600	MAS LEDBulbND5.2-75W E27 840A70 CLG UE	Trasparente	A70
18853200	MAS LEDBulbND4-60W E27 840 A60 CL G UE	Trasparente	A60
18845700	MAS LEDBulbND4-60W E27 827 A60 CL G UE	Trasparente	A60
25412100	MAS LEDBulbND4-60W E27 830 A60 CL G UE	Trasparente	A60
42079300	MAS LEDBulbND4-60W E27 840 A60 CL G EELA	Trasparente	A60
20276400	MAS LEDBulbND4-60W E27 827 G95 CL G UE	Trasparente	G95
42073100	MAS LEDBulbND2.3-40W E27830 A60CL G EELA	Trasparente	A60
43579700	MAS LEDBulbND4-60W E27 830 A60 FR G UE	Smerigliata	A60
43581000	MAS LEDBulbND4-60W E27 840 A60 FR G UE	Smerigliata	A60
18833400	MAS LEDBulbND2.3-40W E27 827 A60 FR G UE	Smerigliata	A60
18841900	MAS LEDBulbND2.3-40W E27 840 A60 FR G UE	Smerigliata	A60
18849500	MAS LEDBulbND4-60W E27 827 A60 FR G UE	Smerigliata	A60
28428900	MAS LEDBulbND4-60W E27 840 A60 FR G UE	Smerigliata	A60
18865500	MAS LEDBulbND5.2-75W E27 827 A60 FR G UE	Smerigliata	A60
18873000	MAS LEDBulbND5.2-75W E27 840 A60 FR G UE	Smerigliata	A60
18881500	MAS LEDBulbND7.3-100W E27 827 A60 FR GUE	Smerigliata	A60
18889100	MAS LEDBulbND7.3-100W E27 840 A60 FR GUE	Smerigliata	A60
25408400	MAS LEDBulbND2.3-40W E27 830 A60 FR G UE	Smerigliata	A60
25416900	MAS LEDBulbND4-60W E27 830 A60 FR G UE	Smerigliata	A60

Order Code	Full Product Name	Finitura lampadina	Forma lampadina
25424400	MAS LEDBulbND5.2-75W E27 830 A60 FR G UE	Smerigliata	A60
25432900	MAS LEDBulbND7.3-100W E27 830 A60 FR GUE	Smerigliata	A60
18861700	MAS LEDBulbND5.2-75W E27 827 A60 CL G UE	Trasparente	A60
25420600	MAS LEDBulbND5.2-75W E27 830 A60 CL G UE	Trasparente	A60
18877800	MAS LEDBulbND7.3-100W E27 827 A60 CL GUE	Trasparente	A60
25428200	MAS LEDBulbND7.3-100W E27 830 A60 CL GUE	Trasparente	A60
43583400	MAS LEDBulbND7.3-100WE27830 A70 FRG UE	Smerigliata	A70
43585800	MAS LEDBulbND7.3-100WE27840 A70 FRG UE	Smerigliata	A70
20274000	MAS LEDBulbND4-60W E27 827 ST64 CL G UE	Trasparente	ST64
43591900	MAS LEDBulbND7.3-100WE27830 A70 CLG UE	Trasparente	A70
43593300	MAS LEDBulbND7.3-100WE27840 A70 CLG UE	Trasparente	A70
18869300	MAS LEDBulbND5.2-75W E27 840 A60 CL G UE	Trasparente	A60
20278800	MAS LEDBulbND4-60W E27 840 G95 CL G UE	Trasparente	G95
42077900	MAS LEDBulbND4-60W E27 830 A60 CL G EELA	Trasparente	A60
24864900	MAS LEDBulb D 4-60W E27 827 A60 CL G UE	Trasparente	A60
24868700	MAS LEDBulb D 4-60W E27 830 A60 CL G UE	Trasparente	A60
18885300	MAS LEDBulbND7.3-100W E27 840 A60 CL GUE	Trasparente	A60
18837200	MAS LEDBulbND2.3-40W E27 840 A60 CL G UE	Trasparente	A60
18829700	MAS LEDBulbND2.3-40W E27 827 A60 CL G UE	Trasparente	A60
25404600	MAS LEDBulbND2.3-40W E27 830 A60 CL G UE	Trasparente	A60

Lampadina MASTER UltraEfficient LED

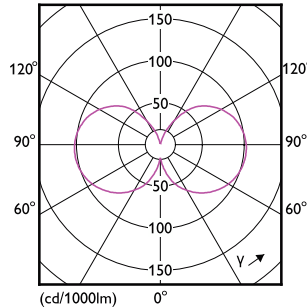
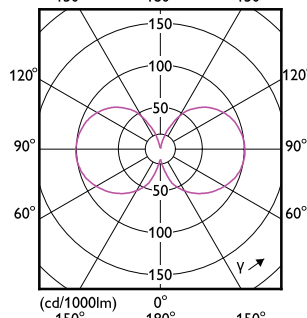
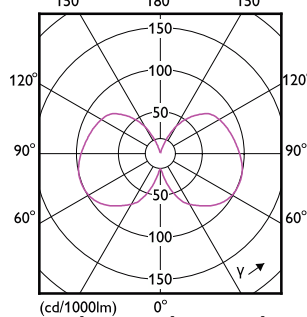
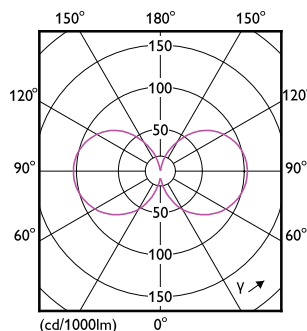
Order Code	Full Product Name	Finitura lampadina	Forma lampadina
24866300	MAS LEDBulb D 4-60W E27 827 A60 FR G UE	Smerigliata	A60
24870000	MAS LEDBulb D 4-60W E27 830 A60 FR G UE	Smerigliata	A60

Order Code	Full Product Name	Finitura lampadina	Forma lampadina
42075500	MAS LEDBulbND2.3-40W E27840 A60CL G EELA	Trasparente	A60

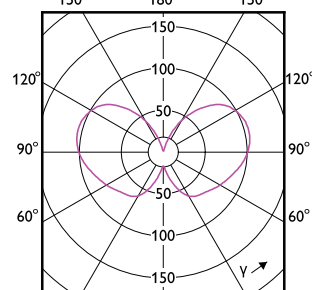
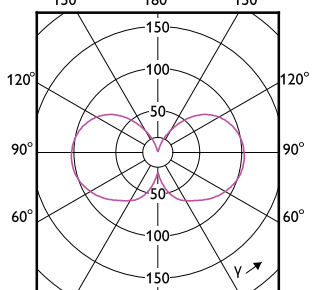
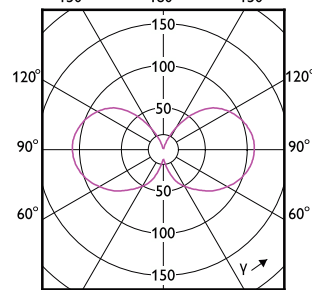
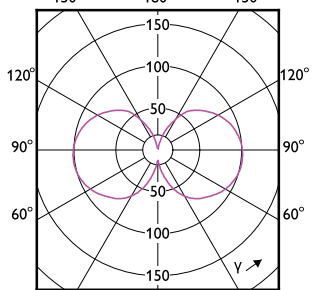
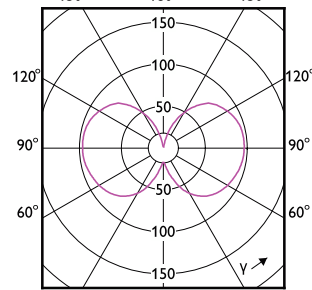
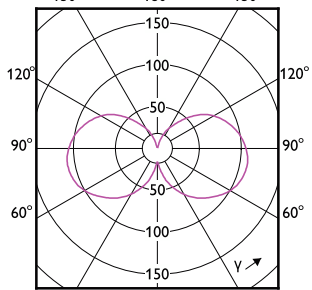
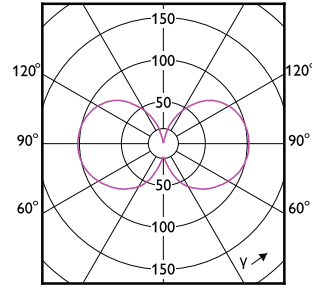
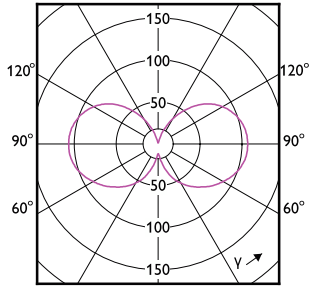
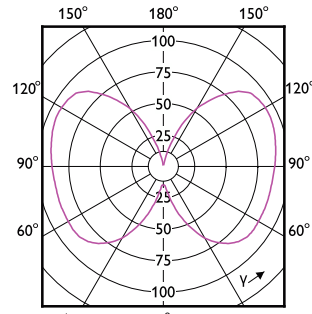
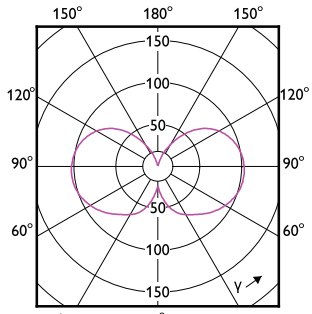
Approvazione e applicazione

Order Code	Full Product Name	Consumo energetico kWh/1000 h
43587200	MAS LEDBulbND5.2-75W E27 830A70 CLG UE	6 kWh
43589600	MAS LEDBulbND5.2-75W E27 840A70 CLG UE	6 kWh
18853200	MAS LEDBulbND4-60W E27 840 A60 CL G UE	4 kWh
18845700	MAS LEDBulbND4-60W E27 827 A60 CL G UE	4 kWh
25412100	MAS LEDBulbND4-60W E27 830 A60 CL G UE	4 kWh
42079300	MAS LEDBulbND4-60W E27 840 A60 CL G EELA	4 kWh
20276400	MAS LEDBulbND4-60W E27 827 G95 CL G UE	4 kWh
42073100	MAS LEDBulbND2.3-40W E27830 A60CL G EELA	3 kWh
43579700	MAS LEDBulbND4-60W E27 830 A60 FR G UE	4 kWh
43581000	MAS LEDBulbND4-60W E27 840 A60 FR G UE	4 kWh
18833400	MAS LEDBulbND2.3-40W E27 827 A60 FR G UE	3 kWh
18841900	MAS LEDBulbND2.3-40W E27 840 A60 FR G UE	3 kWh
18849500	MAS LEDBulbND4-60W E27 827 A60 FR G UE	4 kWh
28428900	MAS LEDBulbND4-60W E27 840 A60 FR G UE	4 kWh
18865500	MAS LEDBulbND5.2-75W E27 827 A60 FR G UE	6 kWh
18873000	MAS LEDBulbND5.2-75W E27 840 A60 FR G UE	6 kWh
18881500	MAS LEDBulbND7.3-100W E27 827 A60 FR GUE	8 kWh
18889100	MAS LEDBulbND7.3-100W E27 840 A60 FR GUE	8 kWh
25408400	MAS LEDBulbND2.3-40W E27 830 A60 FR G UE	3 kWh
25416900	MAS LEDBulbND4-60W E27 830 A60 FR G UE	4 kWh
25424400	MAS LEDBulbND5.2-75W E27 830 A60 FR G UE	6 kWh
25432900	MAS LEDBulbND7.3-100W E27 830 A60 FR GUE	8 kWh
18861700	MAS LEDBulbND5.2-75W E27 827 A60 CL G UE	6 kWh
25420600	MAS LEDBulbND5.2-75W E27 830 A60 CL G UE	6 kWh
18877800	MAS LEDBulbND7.3-100W E27 827 A60 CL GUE	8 kWh
25428200	MAS LEDBulbND7.3-100W E27 830 A60 CL GUE	8 kWh
43583400	MAS LEDBulbND7.3-100WE27830 A70 FRG UE	8 kWh
43585800	MAS LEDBulbND7.3-100WE27840 A70 FRG UE	8 kWh
20274000	MAS LEDBulbND4-60W E27 827 ST64 CL G UE	4 kWh
43591900	MAS LEDBulbND7.3-100WE27830 A70 CLG UE	8 kWh
43593300	MAS LEDBulbND7.3-100WE27840 A70 CLG UE	8 kWh
18869300	MAS LEDBulbND5.2-75W E27 840 A60 CL G UE	6 kWh
20278800	MAS LEDBulbND4-60W E27 840 G95 CL G UE	4 kWh
42077900	MAS LEDBulbND4-60W E27 830 A60 CL G EELA	4 kWh
24864900	MAS LEDBulb D 4-60W E27 827 A60 CL G UE	4 kWh
24868700	MAS LEDBulb D 4-60W E27 830 A60 CL G UE	4 kWh
18885300	MAS LEDBulbND7.3-100W E27 840 A60 CL GUE	8 kWh
18837200	MAS LEDBulbND2.3-40W E27 840 A60 CL G UE	3 kWh
18829700	MAS LEDBulbND2.3-40W E27 827 A60 CL G UE	3 kWh
25404600	MAS LEDBulbND2.3-40W E27 830 A60 CL G UE	3 kWh
24866300	MAS LEDBulb D 4-60W E27 827 A60 FR G UE	4 kWh
24870000	MAS LEDBulb D 4-60W E27 830 A60 FR G UE	4 kWh

Order Code	Full Product Name	Consumo energetico kWh/1000 h
42075500	MAS LEDBulbND2.3-40W E27840 A60CL G EELA	3 kWh



Lampadina MASTER UltraEfficient LED



Lampadina MASTER UltraEfficient LED

